



DOUBLE SHADES –
Window decoration with a view



DUOFLO[®]

Double Blinds



Modern colours make windows shine. Duoflor is also available in a range of trendy colours, turning blinds into real eye-catchers in modern interior design.

Small Photo: Black profiles are used to match the dark coloured window frame.

Fabric: Binale – Design 150

Large Photo: The transparent and densely woven horizontal stripes allow complete flexibility between light and dark by adjusting the position of the fabric.

Fabric: Spring M – Design 023



Detailed taste

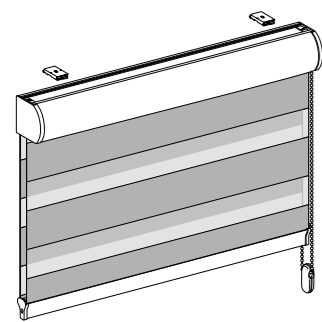
The new ergonomically shaped bottom rail and end cap which conceal the tube for the material to pass over create a stylish and contemporary unit.

The large photo clearly shows how the fabric passes round the bottom rail and runs upwards again. As soon as the blind is operated the fabric stripes run past each other to allow the blind to be open or closed.

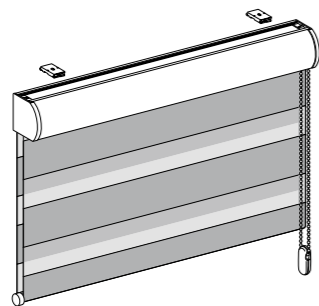
Fabric above: Natural - Design 173
Fabric on the right: Spring - Design 002



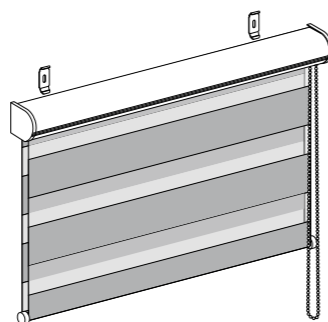
Duoflor models



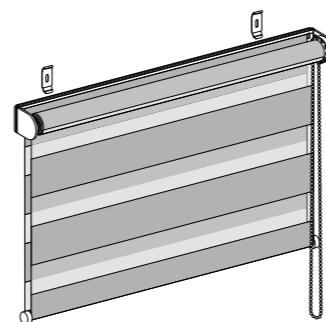
Classic model



Classic model with round bottom rail



Pure model



Pure model without cover plate

Size ranges

Classic model

max. width 240 cm
min. width 50 cm
max. height 260 cm
max. sqm 6 sqm

Classic model with round bottom rail

max. width 240 cm
min. width 50 cm
max. height 260 cm
max. sqm 6 sqm

Pure model

max. width 220 cm
min. width 50 cm
max. height 200 cm
max. sqm 4,4 sqm

Pure model without cover plate

max. width 220 cm
min. width 50 cm
max. height 260 cm
max. sqm 5,7 sqm

Technical description

- Aluminium head runner with rounded cover plate or installation profile.
- Two-piece bottom runner with end caps, alternatively one-piece round bottom runner with end caps.
- The fabric is attached both to the aluminium tube and the head runner and rolls up and down over the one or two-piece bottom runner by means of roller and weight.
- The cloth stripes are available in different widths. The blinds are woven alternately in opaque and transparent stripes.
- The Duoflor effect is achieved by adjusting the transparent and opaque stripes to coincide or alternate and can be at any blind height.

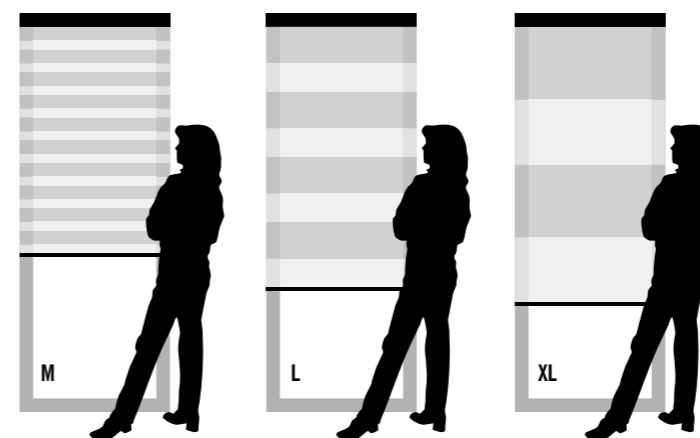
Care instructions

- Duoflor fabrics are easy to care for and clean. Simply brush any light surface soiling off the blinds.
- If they should be more heavily soiled, you can wipe the fabric down using a damp cloth.
- All the mechanical parts are maintenance-free and have a long service life.

Please note

- No caustic or alkaline cleaning agents that come directly or indirectly into contact with the system (condensation) may be used for window frames and glass.
- We do not accept any warranty for damage to the fabric caused by dripping water or fly excrements.
- Duoflor systems have not been designed for outdoor use.
- For this reason, no warranty will be accepted for installation outdoors or installation in open or partly glazed canopied areas (pergola).

Stripe heights



The "Spring" collection is notable for its broad spectrum of cheerful colours. In addition, this version is available in 3 different stripe heights.

		Stripe heights in cm		
Collection		7,5/5 cm	20/16 cm	40/36 cm
M		•		
L			•	
XL				•

See the Duoflor sales catalogue for detailed technical information.





**Window decoration
with a view:**



From open ...



... through half-open ...



.... to closed

We're happy to help: